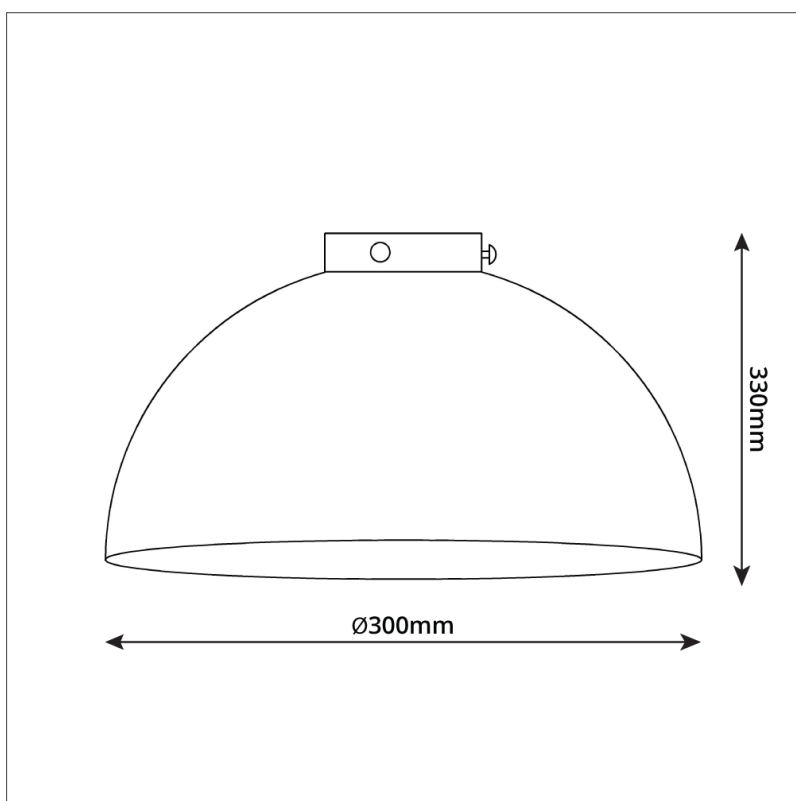


Biard Gracia Glass Dome Pendant Light



Product Specification

Base	E27
Dimensions	$\varnothing 300 \times 330\text{mm}$
Waterproof	No
Input Power	220V-250V
Certification	CE, LVD, RoHS
Input Frequency	50/60Hz
Weight	1kg

Product Features

- ✓ Material: Glass
- ✓ Finish: Clear
- ✓ Dimmable
- ✓ Cord Length: 1m
- ✓ Maximum Wattage: 60W



Safety Information

- ✓ Use only at stated voltages.
- ✗ **DO NOT** look directly into LED.
- ✗ **DO NOT** spray with chemicals.
- ✓ If in doubt use a qualified electrician.
- ✗ **NEVER** expose electrical parts when switched on.
- ✗ **DO NOT** remove PIR (if fitted).
- ✗ **DO NOT** cover with flammable materials.
- ✓ Turn off power before fitting.

All Biard branded products are covered by a 3 year warranty and have a 30 day money back guarantee.

RoHS
Compliant

