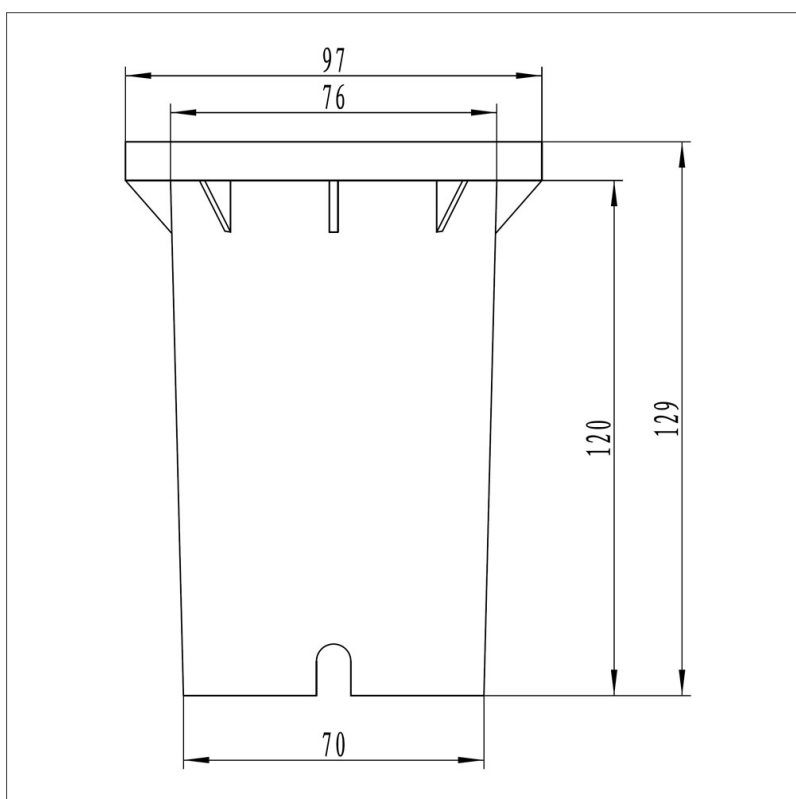


Biard Vilanoveta IP67 Ground Light - Square



Product Specification

| | |
|-----------------|----------------------|
| Fitting | GU10 |
| Dimensions | 97x97x129mm |
| Waterproof | IP67 Rated |
| Input Power | 220-240VAC |
| Certification | CE, RoHS, LVD |
| Input Frequency | N/A |
| Weight | N/A |

Product Specification

- ✓ Ground Recessed
- ✓ Includes Fixing Kit
- ✓ GU10 Fitting
- ✓ IP67 Rated
- ✓ Stainless Steel Top



Safety Information

- ✓ Use only at stated voltages.
- ✗ **DO NOT** look directly into LED.
- ✗ **DO NOT** spray with chemicals.
- ✓ If in doubt use a qualified electrician.
- ✗ **NEVER** expose electrical parts when switched on.
- ✗ **DO NOT** remove PIR (if fitted).
- ✗ **DO NOT** cover with flammable materials.
- ✓ Turn off power before fitting.

All Biard branded products are covered by a 3 year warranty and have a 30 day money back guarantee.

RoHS
Compliant

