

Biard Vilanoveta IP67 Ground Light - Round

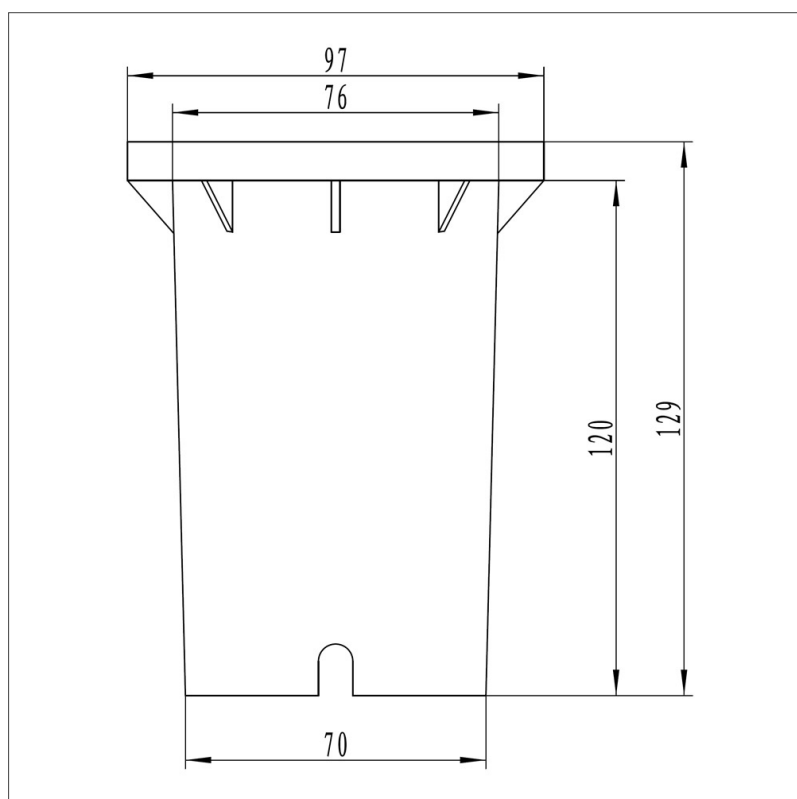


Product Specification

Fitting	GU10
Dimensions	ø97x129mm
Waterproof	IP67 Rated
Input Power	220-240VAC
Certification	CE, RoHS, LVD
Input Frequency	N/A
Weight	N/A

Product Specification

- ✓ Ground Recessed
- ✓ Includes Fixing Kit
- ✓ GU10 Fitting
- ✓ IP67 Rated
- ✓ Stainless Steel Top



Safety Information

- ✓ Use only at stated voltages.
- ✗ **DO NOT** look directly into LED.
- ✗ **DO NOT** spray with chemicals.
- ✓ If in doubt use a qualified electrician.
- ✗ **NEVER** expose electrical parts when switched on.
- ✗ **DO NOT** remove PIR (if fitted).
- ✗ **DO NOT** cover with flammable materials.
- ✓ Turn off power before fitting.

This product is covered by a 3 year warranty and have a 30 day money back guarantee.

RoHS
Compliant

