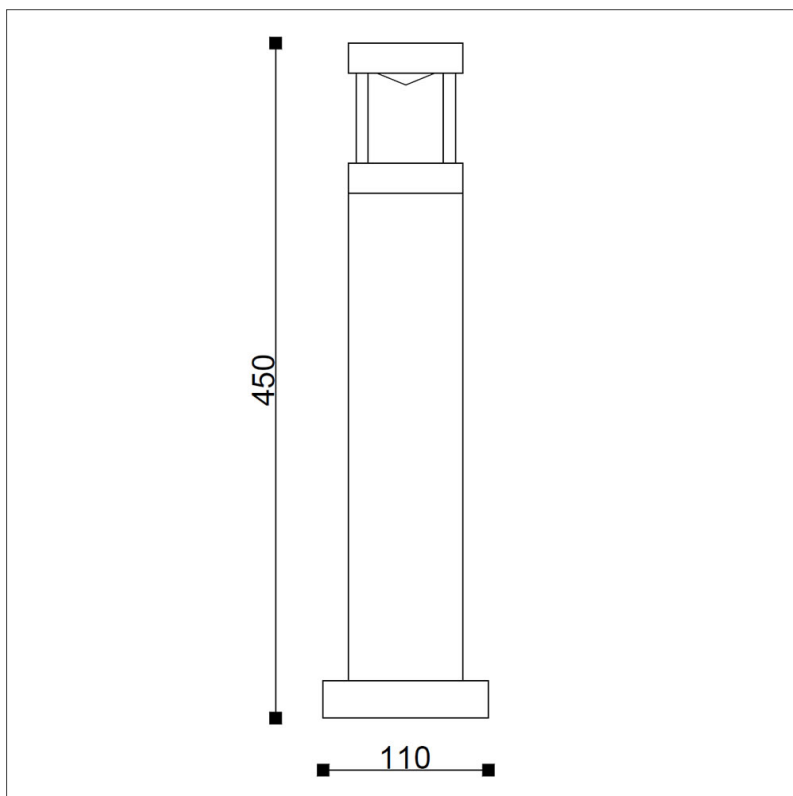


Biard Niort IP44 Bollard Light - 450mm



Product Specification

Base	GU10
Dimensions	76 x 110 x 450mm
Waterproof	Yes IP44
Input Power	AC220-240V
Certification	CE, LVD & RoHS Certified
Input Frequency	50HZ
Weight	0.85kg

Product Specification

- ✓ Free LED GU10
- ✓ Chrome
- ✓ IP44 Rated
- ✓ Stainless Steel Body
- ✓ 3 Year Warranty



Safety Information

- ✓ Use only at stated voltages.
- ✗ **DO NOT** look directly into LED.
- ✗ **DO NOT** spray with chemicals.
- ✓ If in doubt use a qualified electrician.
- ✗ **NEVER** expose electrical parts when switched on.
- ✗ **DO NOT** remove PIR (if fitted).
- ✗ **DO NOT** cover with flammable materials.
- ✓ Turn off power before fitting.

All Biard branded products are covered by a 3 year warranty and have a 30 day money back guarantee.

RoHS
Compliant

