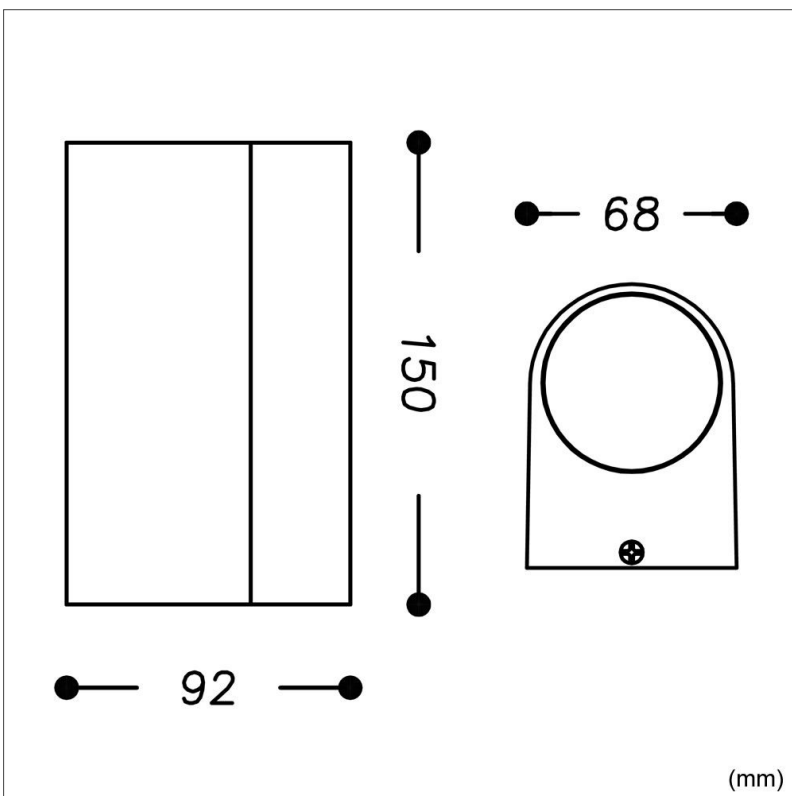


## Biard Architect IP44 Up/Down Light - Round



### Product Specification

Base	GU10
Dimensions	150 x 68 x 92mm
Waterproof	IP44
Input Power	220-240V
Certification	CE, RoSH & LVD
Input Frequency	50Hz
Weight	0.54kg

### Product Specification

- ✓ 3 Year Warranty
- ✓ IP44 waterproof rated
- ✓ Max Wattage 2 x 35W
- ✓ CE, RoSH & LVD Certified
- ✓ Full Aluminium Body



### Safety Information

- ✓ Use only at stated voltages.
- ✗ **DO NOT** look directly into LED.
- ✗ **DO NOT** spray with chemicals.
- ✓ If in doubt use a qualified electrician.
- ✗ **NEVER** expose electrical parts when switched on.
- ✗ **DO NOT** remove PIR (if fitted).
- ✗ **DO NOT** cover with flammable materials.
- ✓ Turn off power before fitting.

This product is covered by a 3 year warranty and has a 30 day money back guarantee.

RoHS  
Compliant

