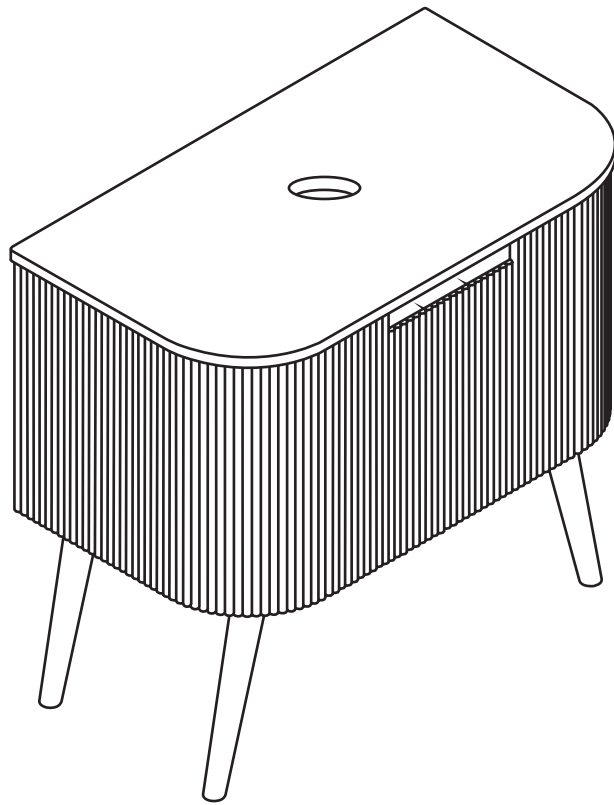


# Milano

Floor Standing Vanity Unit



Installation Guide

# Installation

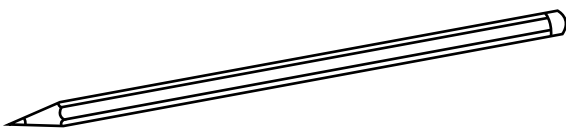
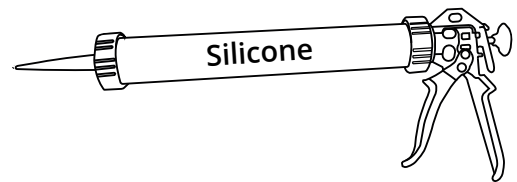
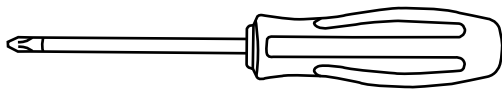
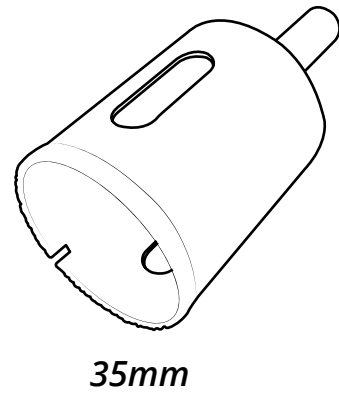
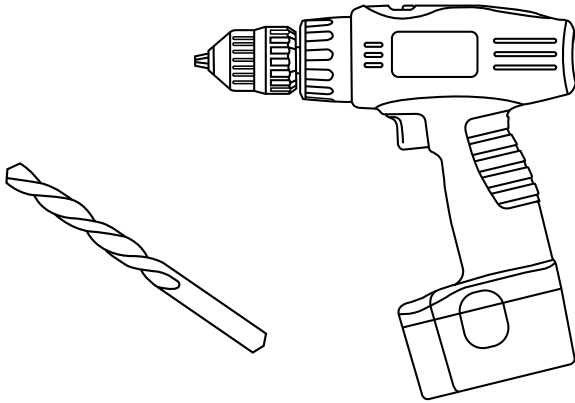
---



*Floor standing units must be fitted back to the wall using suitable fixings*

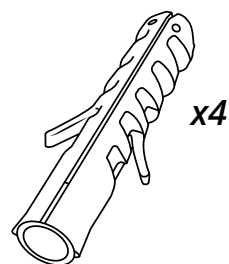
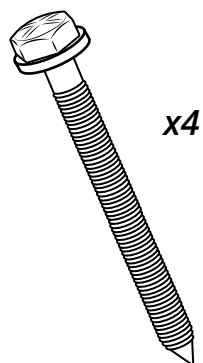
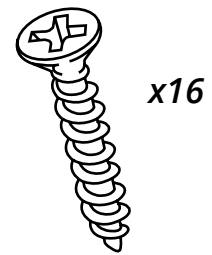
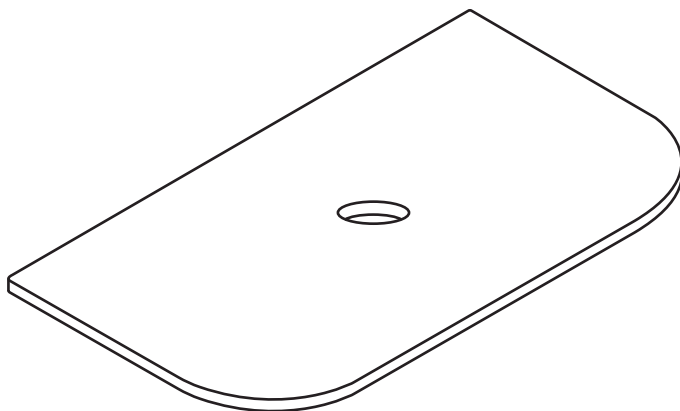
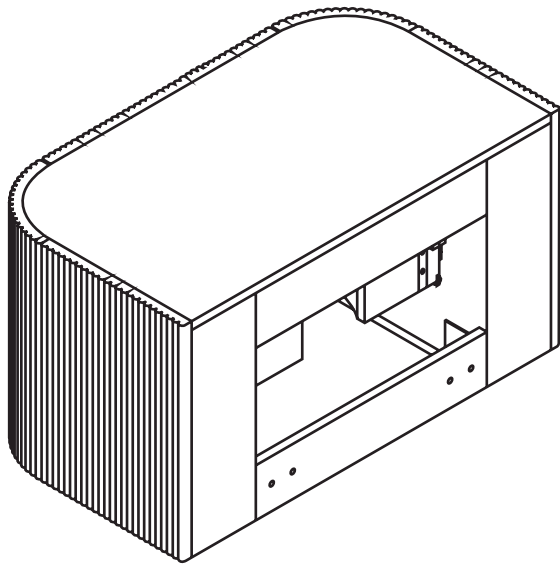
---

## *Tools required for installing:*

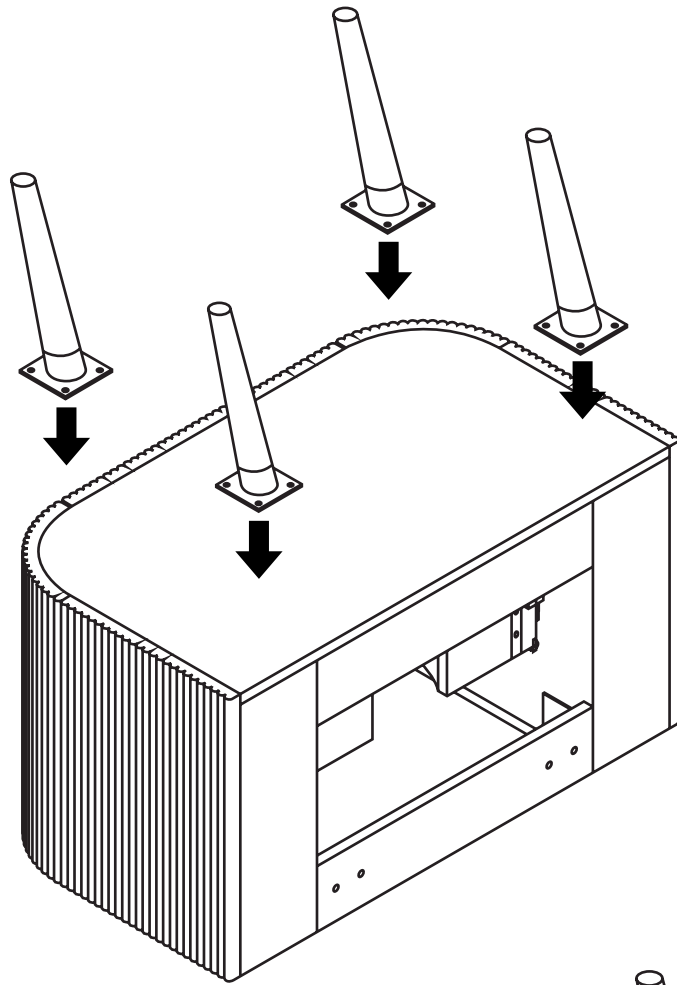


**Water**

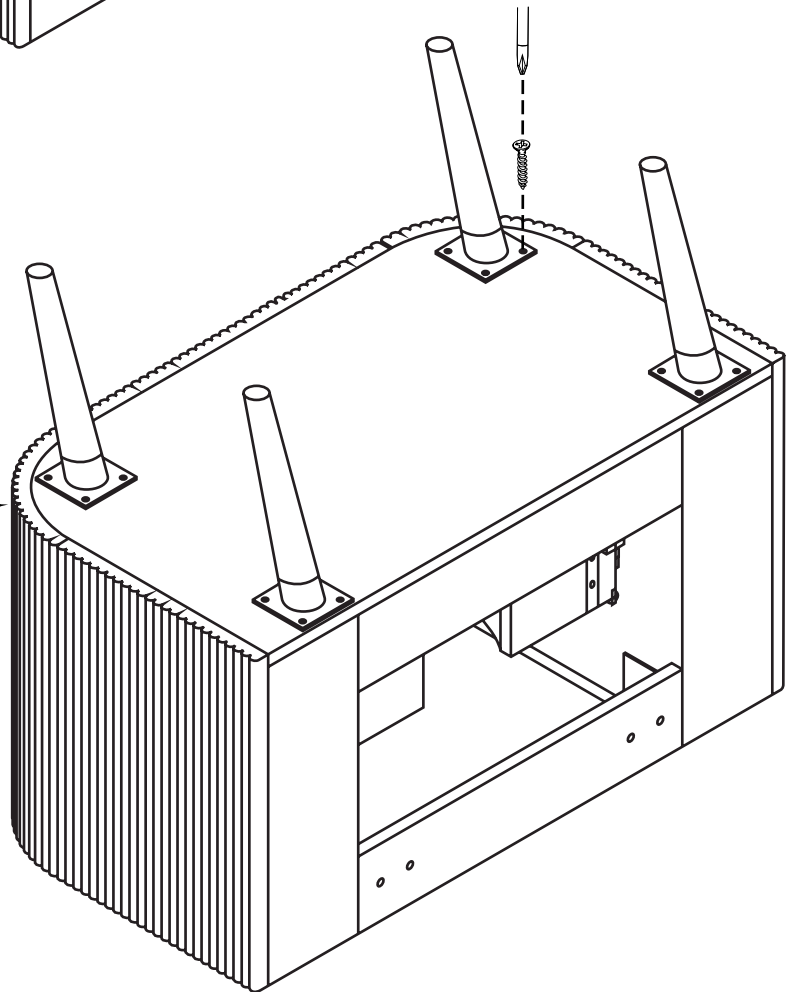
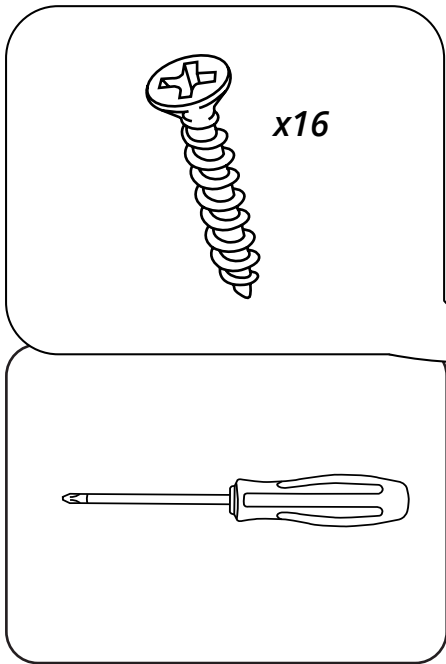
**Parts included:**



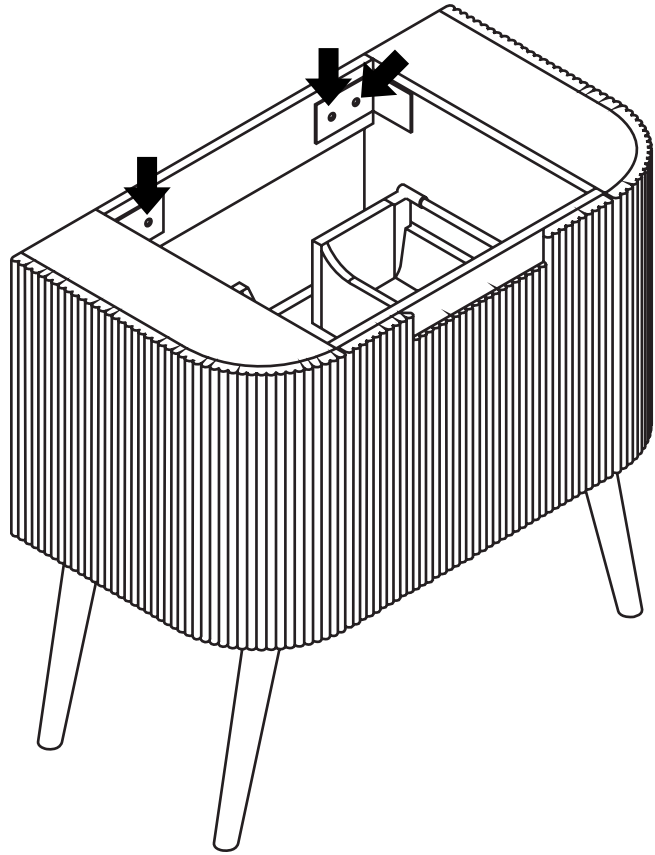
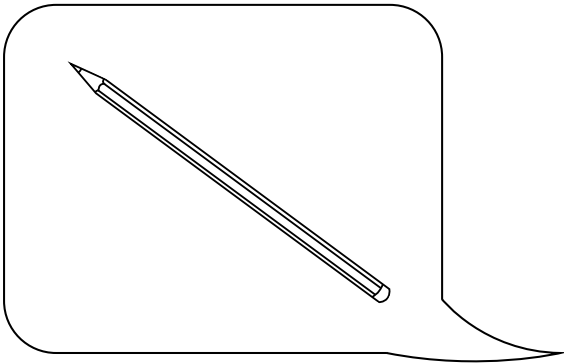
1



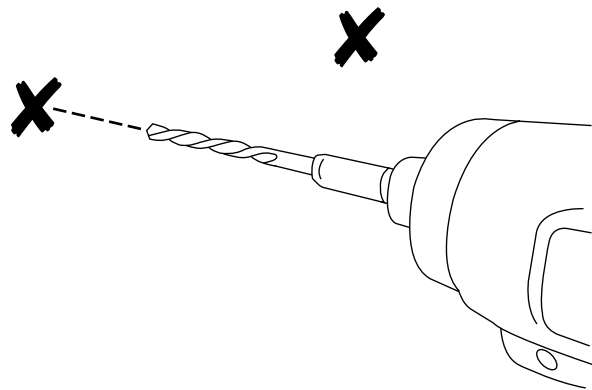
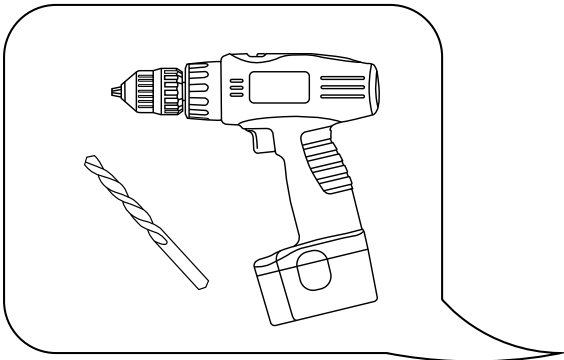
2



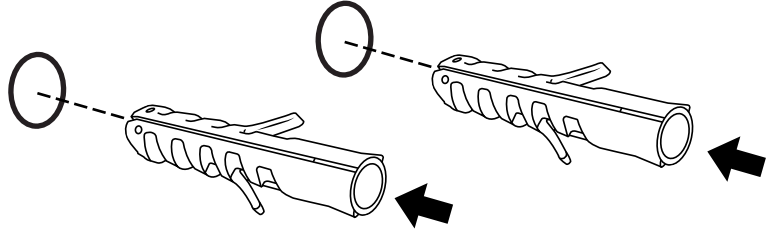
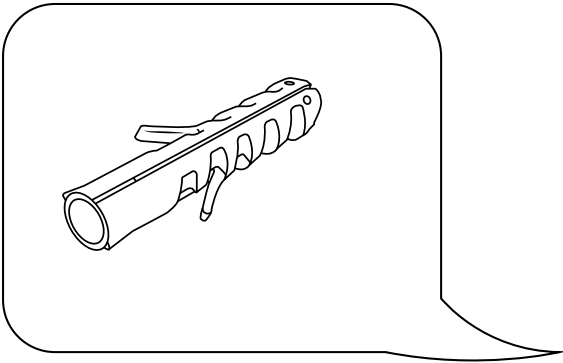
3



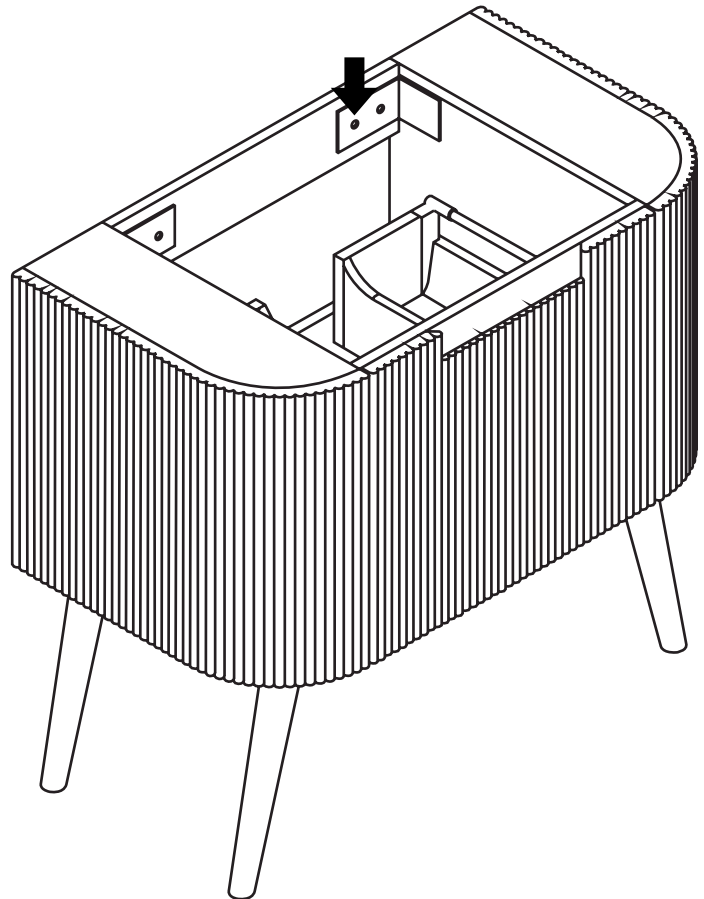
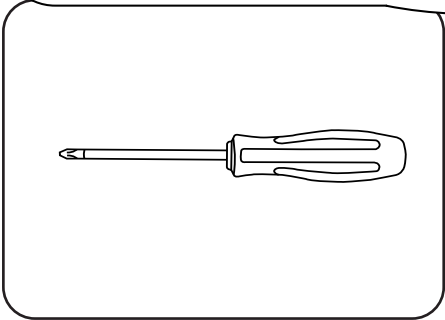
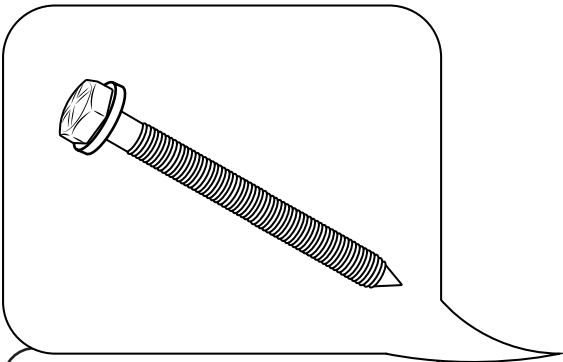
4



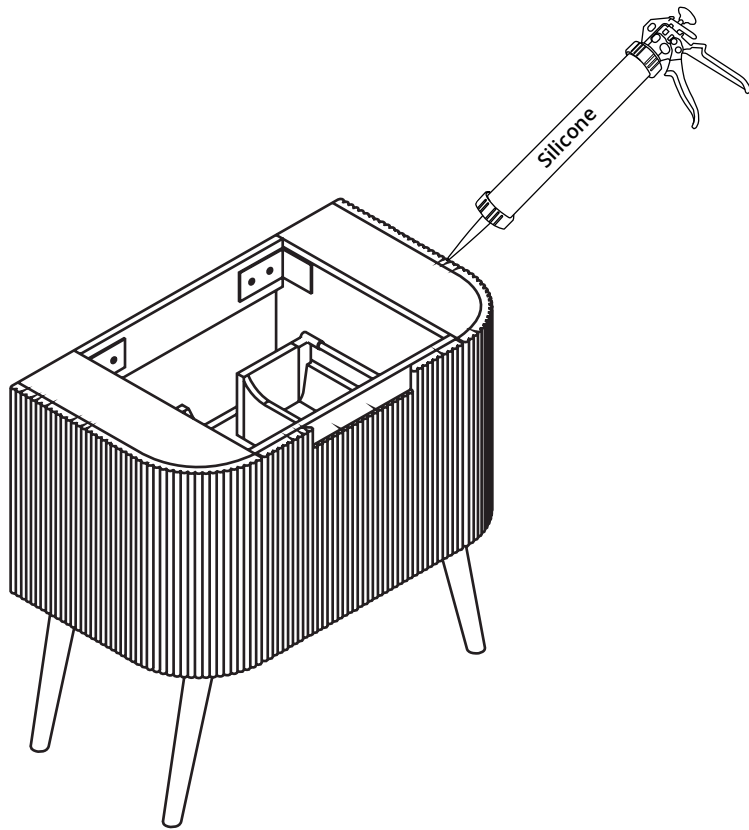
5



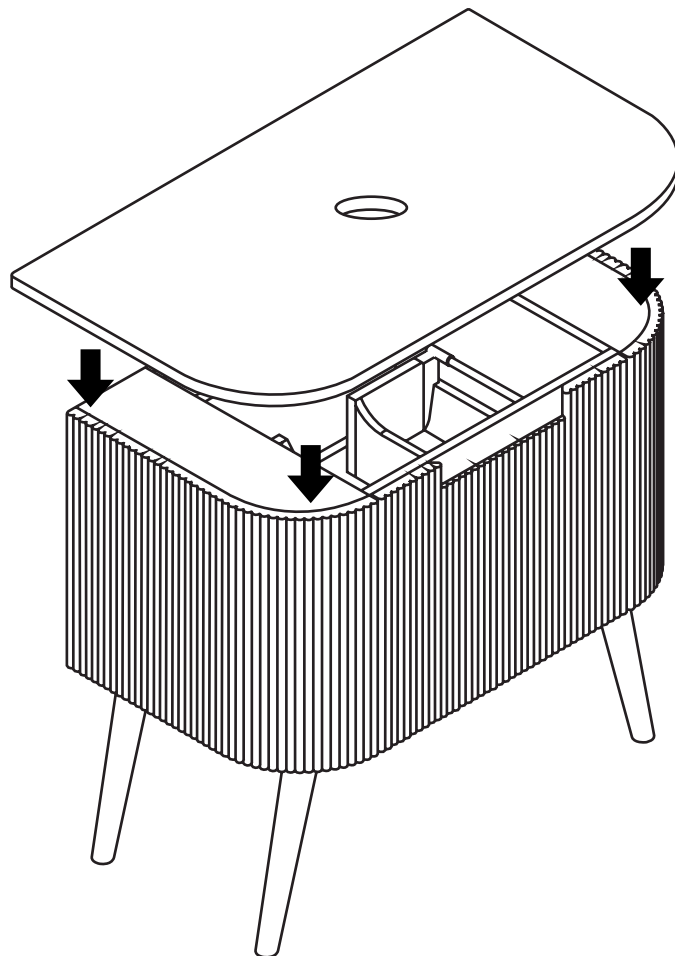
6



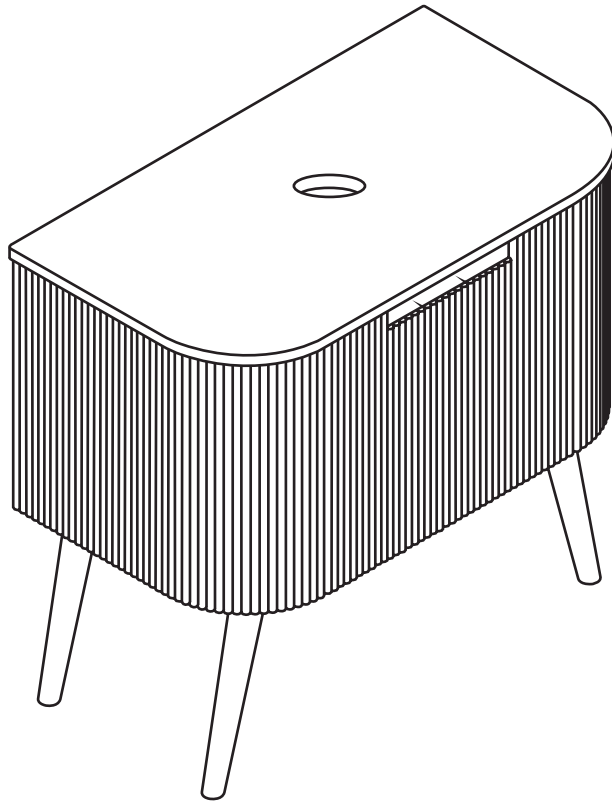
7



8

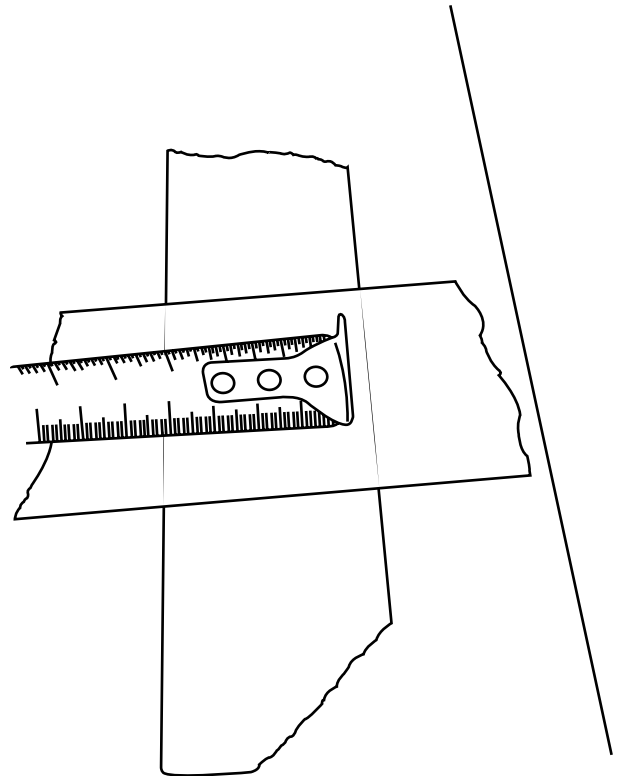
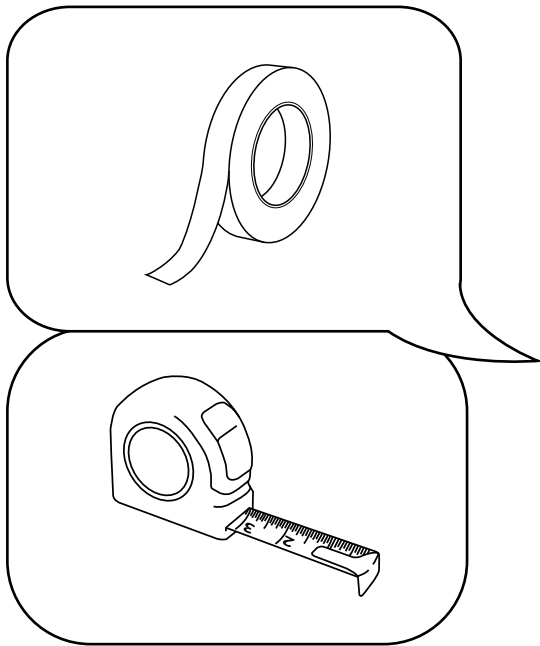


9



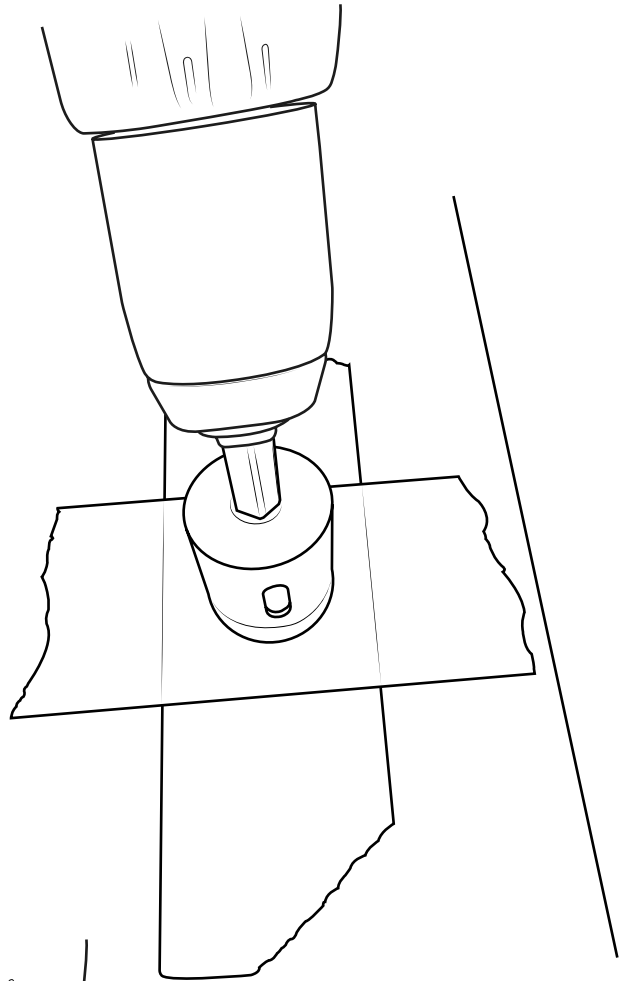
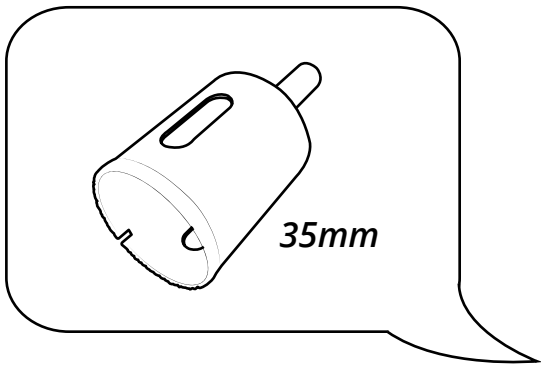
**i** *Optional*

1

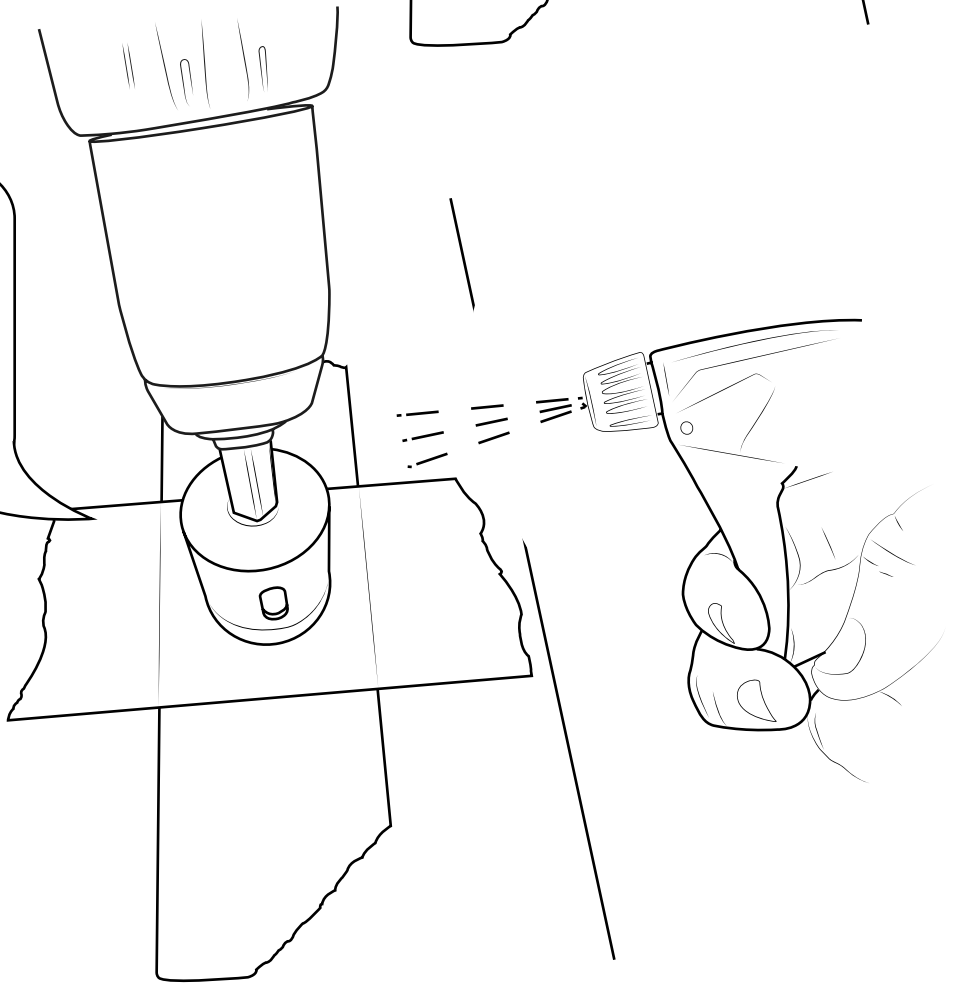
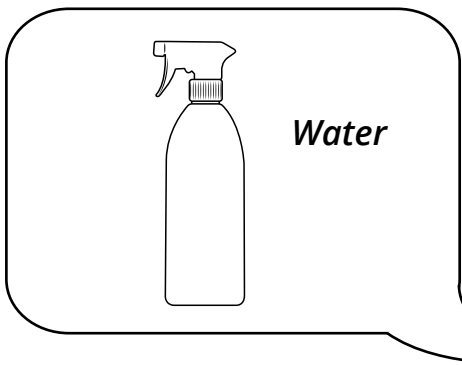




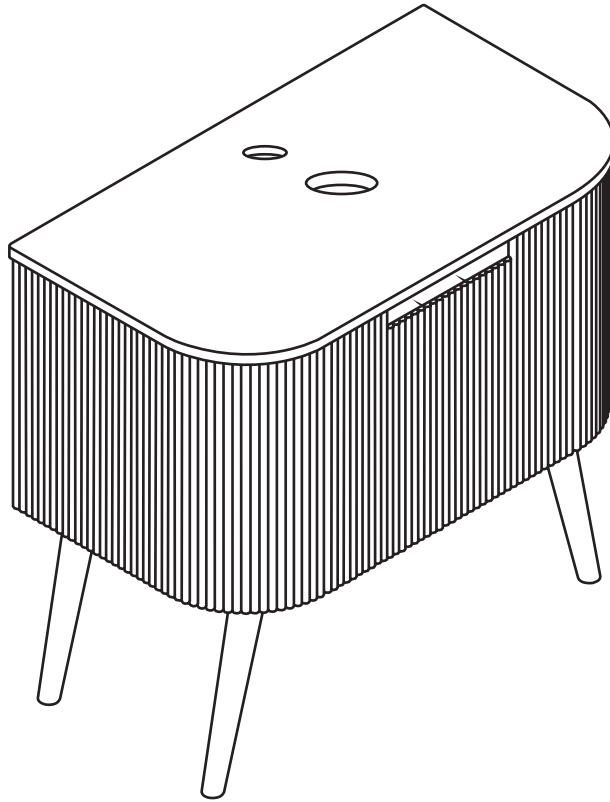
2



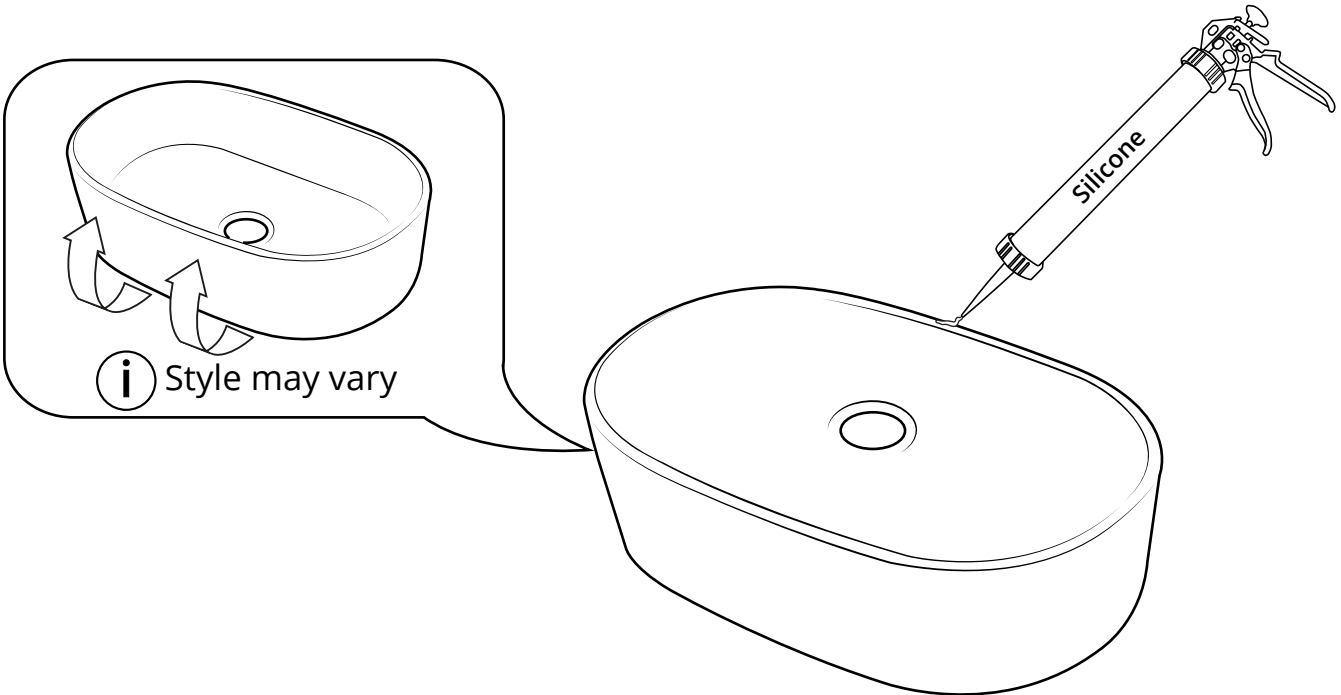
3



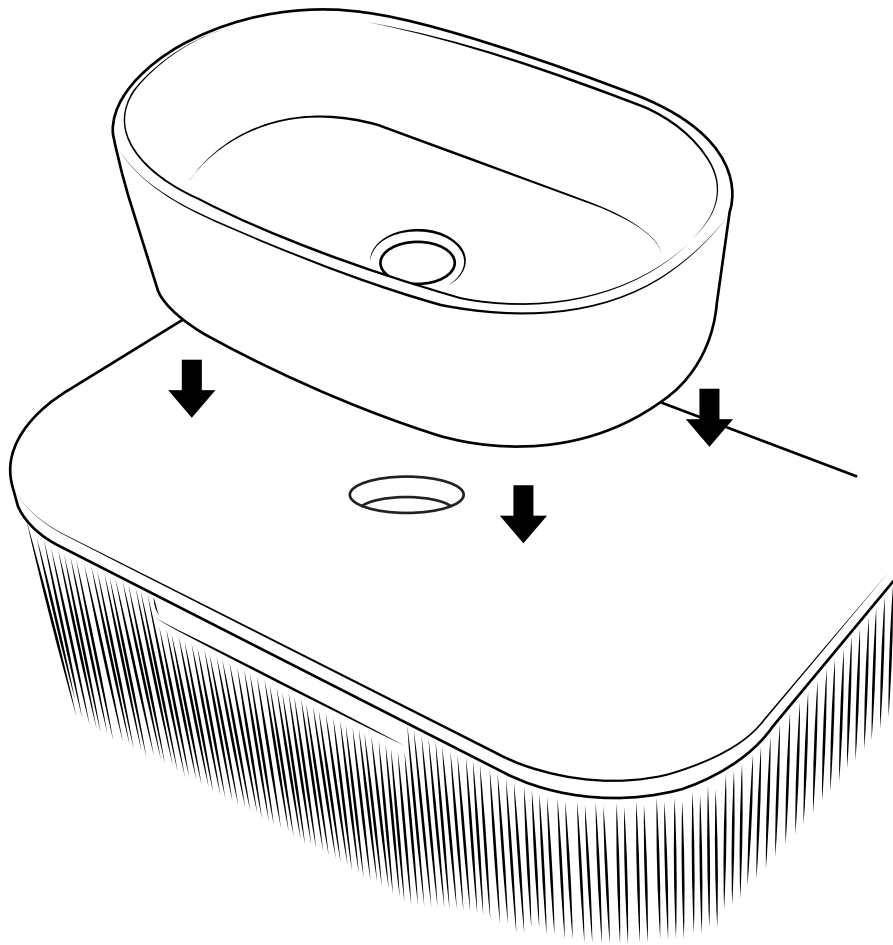
4



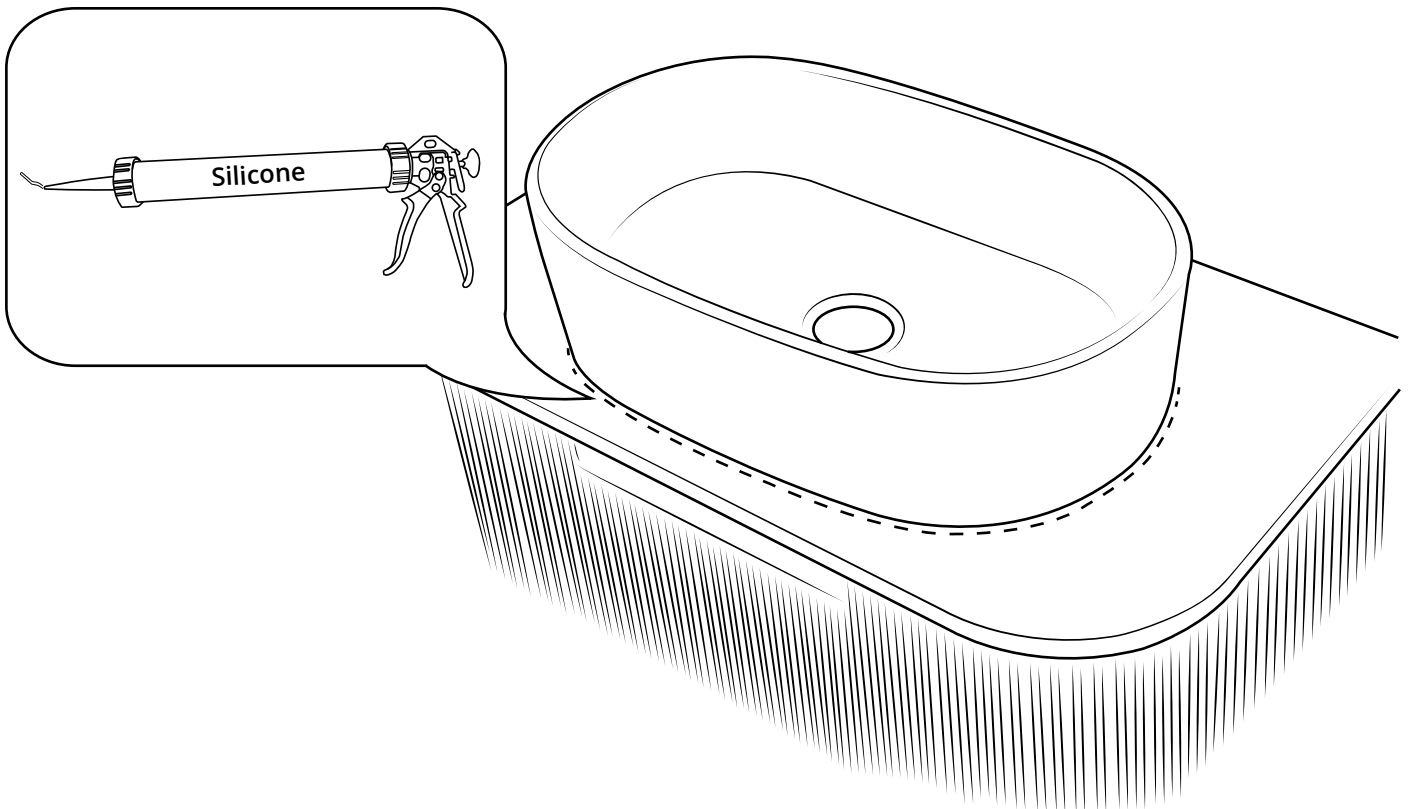
5



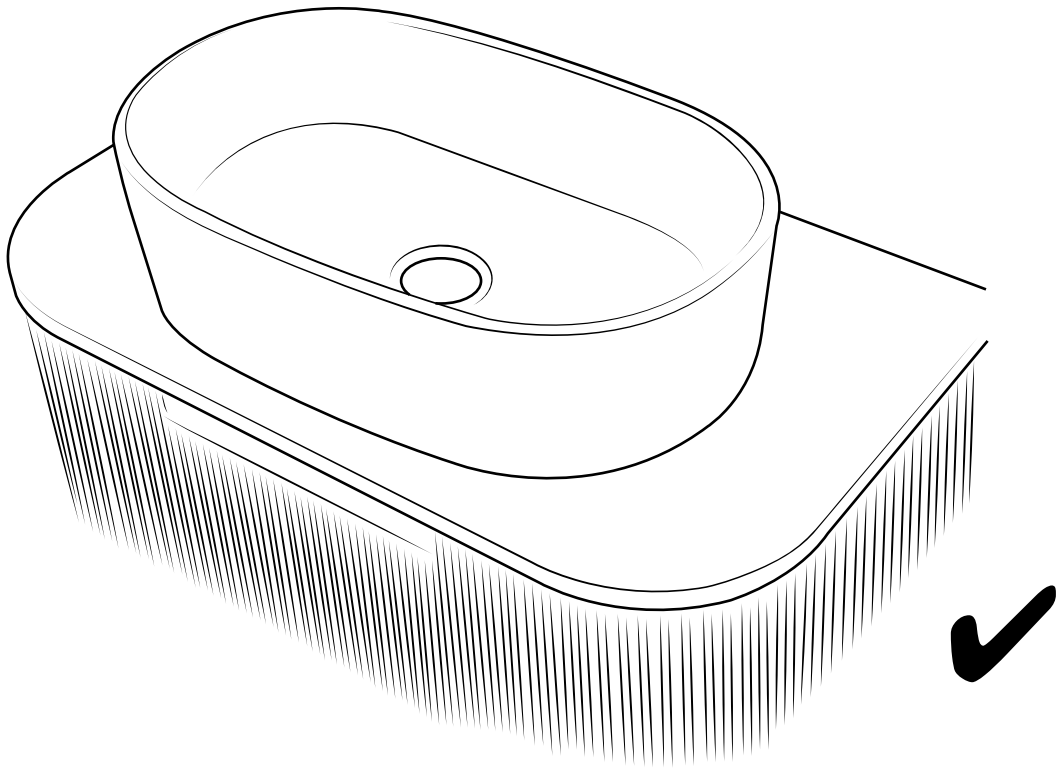
6



7



8



If you require any additional information or have any issues with this product please refer to the website.